



SIMPLICITY SERIES

TYPE: _____
 CATALOGUE #: _____
 NOTES: _____



The **Simplicity** Series combines the efficiency of an LED light source with an elegant die cast design to add high performance and style to your next exit sign application.

Premium Die Cast Edge-Lit Exit Sign

Evaluated to UL924 standard.

Light Source

- Red LED, Light Emitting Diodes of ALINGAP technology

Sealed Maintenance-Free Battery

- Nickel-Cadmium



Specification Flexibility

Specification is made easy with a choice of models and options designed for their flexibility in accommodate a variety of application requirements.

- Modular design of die cast components allow for surface or recessed mounting without changing the aesthetic design of the spec.
- All mounting configurations use the same basic components. Inserting a trim ring allows for recessed mounting on walls or ceilings. Using a canopy allows for surface mounting on ceilings or walls as back or end mount.
- Face panels snap securely into trim plate on all mounting configurations.
- Standard finish is brushed aluminum for the housing, trim ring, trim plate and canopy; optional finishes available.
- Clean trim plate design eliminates visible fasteners.
- Choice of trim plates: Circular or Angular.
- Universal AC input voltage accepts 120 through 277 Vac, 50/60 Hz. for AC-only and Self-powered models.
- Self-powered models have a sealed maintenance-free Nickel-Cadmium battery that provides 90 minutes of emergency illumination.
- Combination test switch/pilot light.
- Bar Hangers are included with all universal edge-lit models.
- Energy star compliant.



Electrical

Power requirements: 120 to 277VAC, 50/60Hz.

AC-only signs use 3 watts max, self-powered signs use 3.5 watts max while recharging batteries. **Transfer:** solid state relay automatically and instantly transfers lamp load upon failure of AC supply.

Brownout: close tolerance electronic circuit activates emergency unit when utility power dips below nominal voltage.

Charger: current limited and short circuit proof. Charger regulation $\pm 1\%$. The equipment is capable of full recharge in compliance with Underwriters 924 specifications.

Controls: Combination push button test switch and LED AC indicator light.

Advanced Optical Technique

The SLED Series is designed to achieve superior visual clarity and performance with an LED light Source.

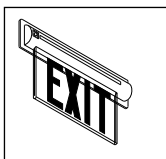
- Two rows of high brightness LEDs transmit light directly into both ends of a unique U-shaped panel.
- Virgin acrylic panel provide optimum light transmission.
- LED sensitive inks are formulated to provide a rich color in red or green.
- Computer engraving is used to crisply define each letter and chevron.
- Choice of legend background includes: Clear (for single face), White or Mirror (for single or double face signs).
- Illumination is 100% in both AC and the emergency mode

Diagnostic / Self Test Feature (optional)

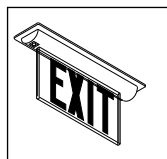
Diagnostic / Self Test circuitry is optional on all self-powered models. This circuitry is programmed to ensure the exits readiness and reliability by continuously monitoring every critical function of the unit. If a problem occurs, a single service required LED illuminates immediately. A detailed diagnostic display is located on the inside of the exit sign, out of sight from the general public. The detailed diagnostic display inside the exit sign will further indicate the nature of the fault. The self test will test the unit for 30 seconds every 30 days, 30 minutes every 60 days and 90 minutes annually.

Available Models

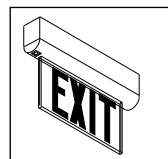
Circular trim plate models shown. Optional Angular trim plate available.



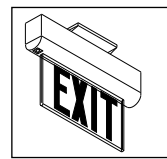
Recessed Wall Mount



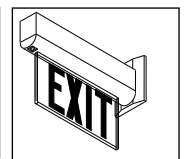
Recessed Ceiling Mount



Surface Wall Mount



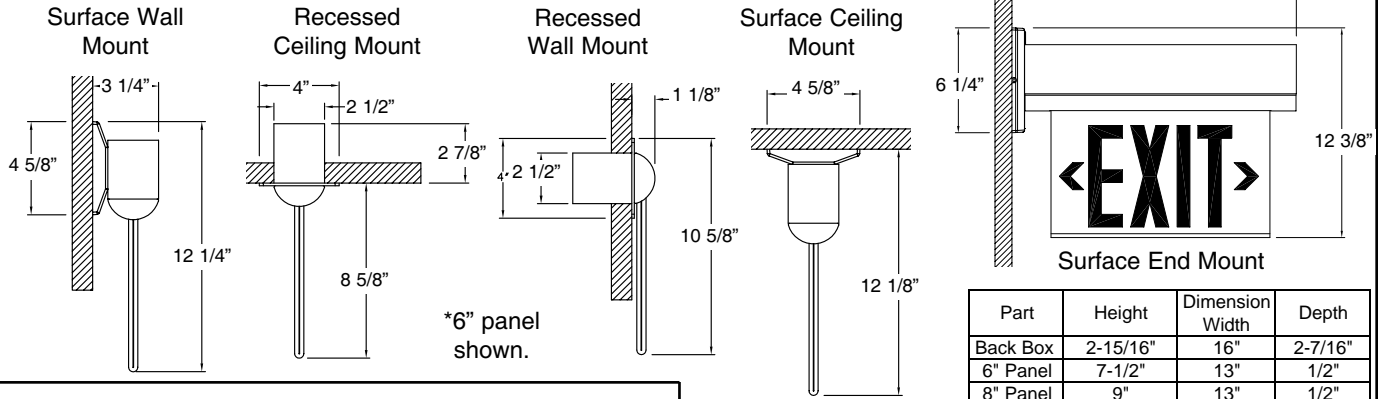
Surface Ceiling Mount



Surface End Mount

Specifications For Simplicity Series

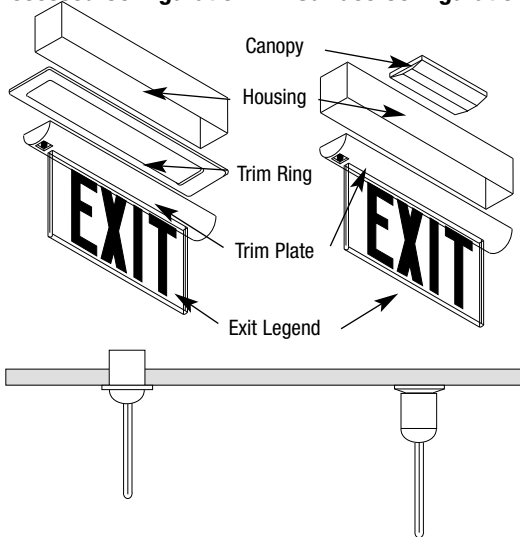
Dimensions are approximate and subject to change.



Mounting Configurations

All mounting configurations use the same basic components. Inserting a trim ring allows for recessed mounting on walls or ceilings. Applying a canopy allows for surface mounting on ceilings or walls as back or end mount.

Recessed Configuration Surface Configuration



Optional Features

Description	Add Suffix
Fire alarm activated flasher.....	-F
Two circuit (AC models only)	-Y
8" EXIT legend for NYC code.....	-8
Self testing/self diagnostic (self-powered models only)	-D
AC/DC Remote	-DC

NOTE: Certain option combinations may affect the listing. Please contact the factory for specifics.

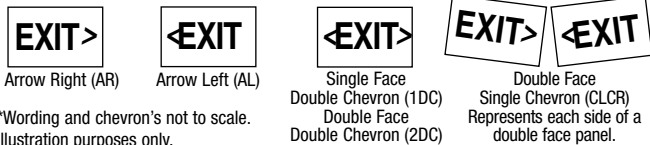
Accessories (order as a separate item)

White pendant	-PW
Black pendant	-PB
Custom pendant lengths and colors available, specify (12", 24", 36", etc)	

Power Consumption

Model	AC Specs		DC Specs	
AC-only	120 to 277 Vac	2 W	-	-
AC/DC	120 to 277 Vac	2 W	6 to 24 Vdc	Less than 1.5 W
Self-powered	120 to 277 Vac	2.5 W	NiCad battery	Min. 90 minutes

Arrow (Chevron) Designation



*Wording and chevron's not to scale. Illustration purposes only.

Unit Warranty*

Unit carries a 5-year full warranty.

Battery Warranty*

Sealed Nickel Cadmium Battery has a 10 year life expectancy and carries a 5-year Full Warranty, plus a 5-year pro rata warranty.

*Subject to proper installation and maintenance.

Ordering Information AC Only, Self-Powered

Example: SLEDWRWDCR

Panel size	Series	Unit color	Panel type	Trim	Directional Chevron	Options*
Blank= 6" letters	SLED= AC only	W= white	*RC= red/clear	D= dome	Blank= single face, no chevron	FB= flasher/buzzer
8= 8" letters	SPLED= self-powered	A= brushed aluminum	RM= red/mirror	P= pyramid	2= double face, no chevron	*Special wording contact factory.
		B= black	RW= red/white		CR= chevron right	
			*GC= green/clear		CL= chevron left	
			GM= green/mirror		CLCR= double face, single chevron	
			GW= green/white		2DC= double face, double chevron	
			*RC or GC -not available as double face.		1DC= single face, double chevron	



Thomas & Betts